

Name: JAMIE TRAYLOR

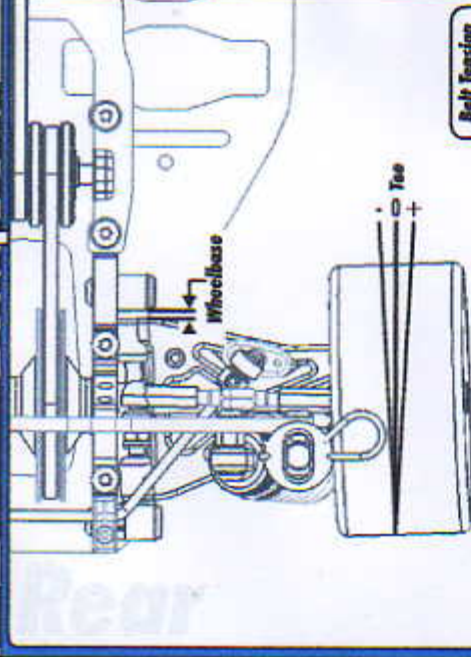
Event: CHIPPEHAM / BASHLEY INDOOR

Conditions: Rubber Tyres on Carpet

Date:

Track:

For Team Driver's setups, please visit www.RC10.com, www.TeamAssociated.com or www.CompetitionX.com!



Alignment	Front
Ride Height	5
Camber	-2
Caster	4
Rear Hub Toe	N/A
Toe	+1
Hex Spacing	std
Wheelbase	2mm
Steering Link	1
Bumpsteer	0

Differentials	
DIFF	Type
10000	SPOOL
7	Setting
A	Belt Tension Number
A	Cam Holder

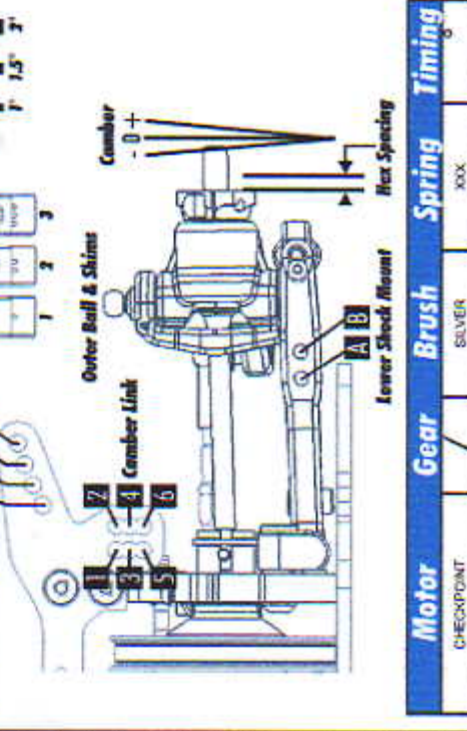
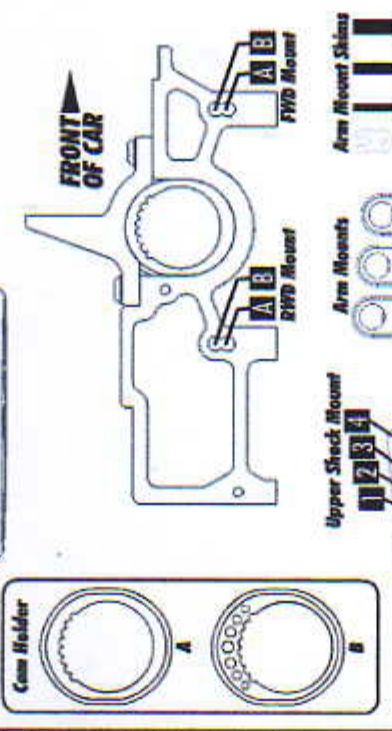
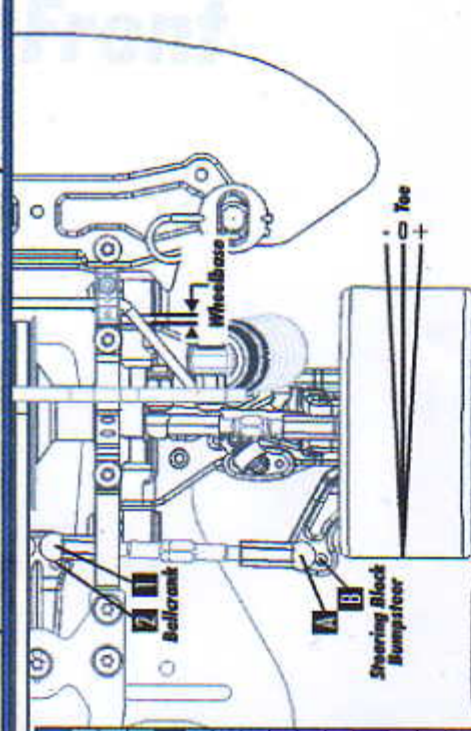
Tires	
Tire	RP300
Tire Diameter	
Insert & Wheel	pre-mounted
Additive & Amount	LRP 3/4 Inche

Shocks	
Oil	30wt
Piston	#2
Rebound	0
Spring	Xray White 17.5lb

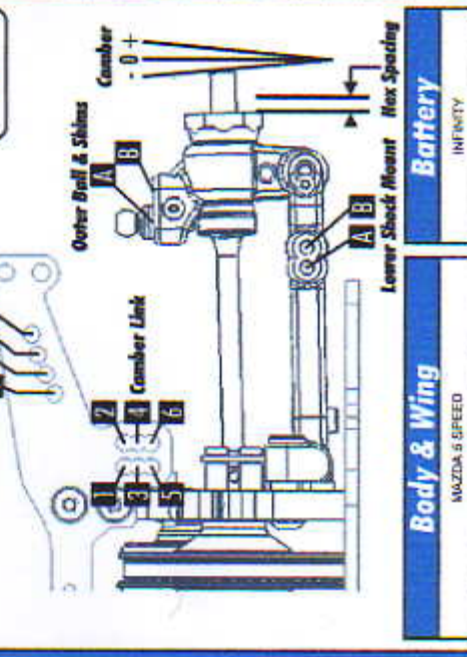
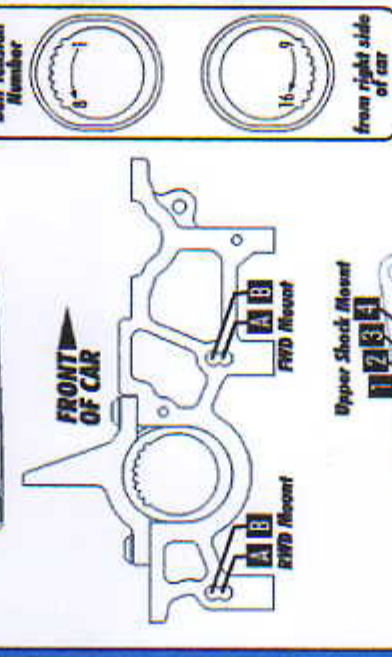
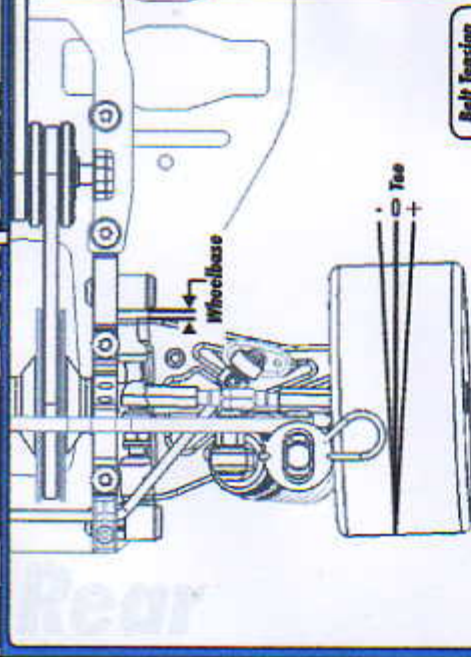
Chassis	
Top Plate:	STANDARD

Suspension Geometry	
Shock Position	20
Camber Link Position	3
Outer Ball & Shims	0
FWD Arm Mount	1A
FWD Mount Shims	0
RWD Arm Mount	1A
RWD Mount Shims	0
Drop	6
Anti-Roll Bar	1.5

Notes:



Notes:



Notes:

Motor	Gear	Brush	Spring	Timing
CHECKPOINT		SILVER	XXX	0

Body & Wing	Battery
MAZDA 5 SPEED	INFINITY