

# SET-UP SHEET

# XRAY T FACTORY KIT

<b>RACER</b>	
NAME	
CITY	
COUNTRY	
CONTACT	
COMMENT	

<b>RACE</b>		<b>DATE</b>	
<b>TRACK</b>			
<b>TRACK CONDITION</b>	<input type="checkbox"/> ASPHALT	<input type="checkbox"/> CARPET	
	<input type="checkbox"/> TECHNICAL	<input type="checkbox"/> MIXED	<input type="checkbox"/> FAST
<b>TRACTION</b>	<input type="checkbox"/> LOW	<input type="checkbox"/> MEDIUM	<input type="checkbox"/> HIGH
<b>RACE LENGTH / minutes</b>		<b>AIR TEMPERATURE</b> °F or °C	
		<b>RESULT</b>	
		<b>QUALIFYING POSITION</b>	
		<b>BEST LAP TIME / sec</b>	
		<b>FINAL POSITION</b>	

FRONT			REAR		
<b>TRANSMISSION</b>					
DIFFERENTIAL					
<input type="checkbox"/> LOOSE	<input type="checkbox"/> MEDIUM	<input type="checkbox"/> TIGHT	<input type="checkbox"/> LOOSE	<input type="checkbox"/> MEDIUM	<input type="checkbox"/> TIGHT
ONE WAY DIFF.		<input type="checkbox"/> YES			
SOLID AXLE		<input type="checkbox"/> YES			
ONE WAY PULLEY		%		<input type="checkbox"/> FIXED	
PINION / T		SPUR GEAR / T			
FINAL DRIVE RATIO		ROLLOUT			

SHOCKS		
<input type="checkbox"/> ALU	<input type="checkbox"/> PLASTIC	<input type="checkbox"/> ALU <input type="checkbox"/> PLASTIC
OIL / W	<b>XRAY SPRINGS</b>	OIL / W
	<input type="checkbox"/> RED <input type="checkbox"/>	
	<input type="checkbox"/> PURPLE <input type="checkbox"/>	
	<input type="checkbox"/> VIOLET <input type="checkbox"/>	
	<input type="checkbox"/> BLUE <input type="checkbox"/>	
	<input type="checkbox"/> WHITE <input type="checkbox"/>	
	<input type="checkbox"/> YELLOW <input type="checkbox"/>	
OTHER		OTHER

	LENGTH / mm	
	PRELOAD / mm	
<input type="radio"/> OPENED	<input type="radio"/> CLOSED	<b>HOLES IN PISTON</b>
<input type="checkbox"/> YES	<input type="checkbox"/> NO	<input type="checkbox"/> YES <input type="checkbox"/> NO

<input type="checkbox"/> 0	<input type="checkbox"/> 30	<input type="checkbox"/> 45	<input type="checkbox"/> 60	<input type="checkbox"/> 90
<b>THICKNESS / mm</b>				

TIRES	
	DIAMETER / mm
	WIDTH / mm
	INSERTS
	ADDITIVE

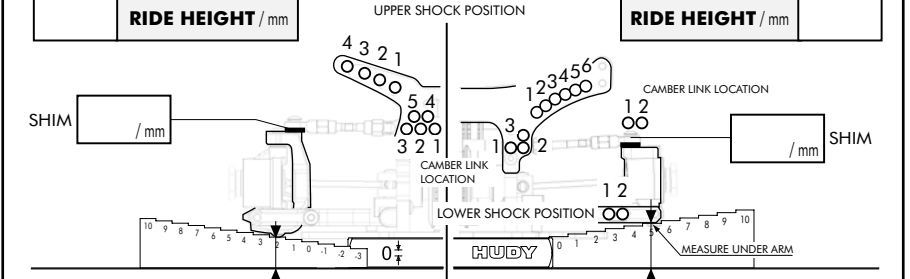
<input type="checkbox"/> S	<input type="checkbox"/> M	<input type="checkbox"/> H	<b>WHEELS</b>	<input type="checkbox"/> S	<input type="checkbox"/> M	<input type="checkbox"/> H
----------------------------	----------------------------	----------------------------	---------------	----------------------------	----------------------------	----------------------------

<b>MOTOR</b>	
ARMATURE	
WINDS	STRANDS
+ SPRING	- SPRING
BRUSH FACE	
BRUSH COMPOUND	

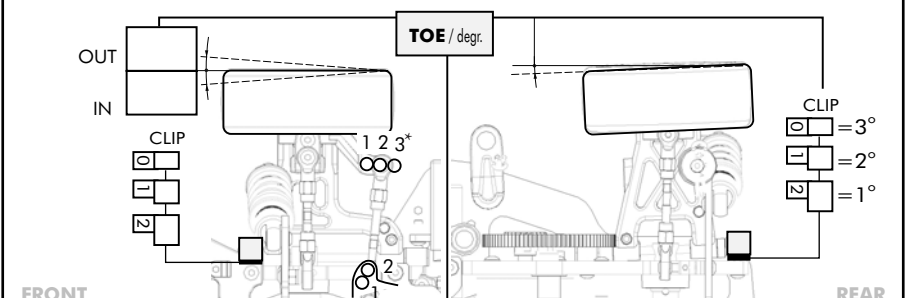
<b>SPEED CONTROLLER</b>	
LIMITER / A	DRIVE FREQUENCY / MHz
INITIAL BRAKE / %	DRAG BRAKE <input type="checkbox"/> ON <input type="checkbox"/> OFF

<b>BATTERIES</b>	
<b>BODY</b>	

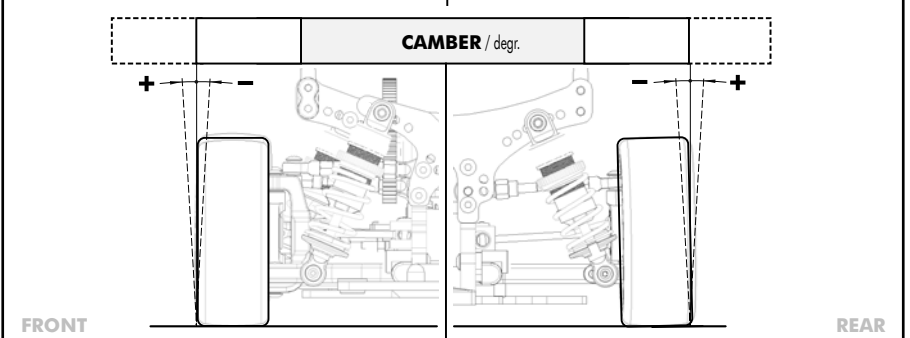
FRONT	● <input checked="" type="checkbox"/> - APPLIED    S-SOFT    M-MEDIUM    H-HARD			REAR
<b>CASTER</b> 0° <input type="checkbox"/> 3° <input type="checkbox"/> 6° <input type="checkbox"/>	<b>C-HUB</b>			<b>ANTI-SQUAT</b>
<b>ANTI-DIVE</b>	<input type="checkbox"/> S			<b>ROLL-CENTER</b>
<b>ROLL-CENTER</b>	<input type="checkbox"/> M			
	<input type="checkbox"/> ALU			
<b>WHEELBASE / mm</b>				



<b>FRONT</b>	<b>DOWNSTOP / mm</b>	<b>REAR</b>
--------------	----------------------	-------------



\* POSITION 3 OPTION    ACKERMANN POSITION



<b>BALANCE / g</b>	
<b>BATTERY PLACEMENT</b> <input type="checkbox"/> B	
Mark location used with	
<b>STICK PACKS</b> YES <input type="checkbox"/>	
<b>SERVO PLACEMENT</b> <input type="checkbox"/> S	
Mark location used with	
<b>TRANSPONDER PLACEMENT</b> <input type="checkbox"/> T	
Mark location used with	